

# CERAMIC EMITTERS-LONG WAVELENGTH

- Range of products available in various shapes :
  - Curved or flat
  - Rectangular or square
- Resistance wire around which is cast a ceramic body. Emitters are glazed to protect them from corrosive aggressions.
- Emitter provided with a mounting element on which we have put a spring and an stainless steel clip to fix the element.
- Two-leads connection protected by ceramic pearls. Length 100 mm ± 10 mm.
- Some emitters are provided with a thermocouple, type J or K, to optimize the temperature of the emitter. Thermocouple with a nickel core wire with fiberglass silk silicone, cast in the ceramic, nearby the emitter plane.
- Voltage : 230 V single phase. Other voltages available on request.
- Approval :UL for all the quoted ceramic emitters.



## Using recommendation:

The emitters can be equipped with reflectors which allow to direct the radiation towards the area to be heated.

## Thermic characteristics :

- Average surface temperature at full capacity : from 200°C (125W) to 680°C(1000W) .
- Wavelength : from 2 to 10 μm, with a maximum wavelength situated between 3,8μm (1000W) and 5μm(200W), according to the emitter.

## Trough rectangular emitters


P (W)	Emitters in stock	Emitters with Tc J in stock	Emitters with TcK in stock
125	HTE 125	HTE/TC/J 125	HTE/TC/K 125
200	HTE 200	HTE/TC/J 200	HTE/TC/K 200
250	HTE 250	HTE/TC/J 250	HTE/TC/K 250
325	HTE 325	HTE/TC/J 325	HTE/TC/K 325
500	HTE 500	HTE/TC/J 500	HTE/TC/K 500
150	FTE 150	FTE/TC/J 150	FTE/TC/K 150
250	FTE 250	FTE/TC/J 250	FTE/TC/K 250
400	FTE 400	FTE/TC/J 400	FTE/TC/K 400
500	FTE 500	FTE/TC/J 500	FTE/TC/K 500
650	FTE 650	FTE/TC/J 650	FTE/TC/K 650
750	FTE 750	FTE/TC/J 750	FTE/TC/K 750
1000	FTE 1000	FTE/TC/J 1000	FTE/TC/K 1000

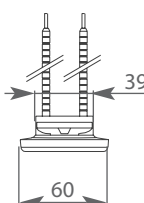
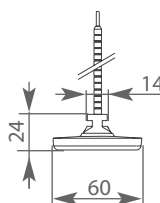
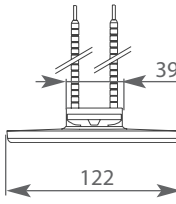
## Flat rectangular emitters


P (W)	Non-stocked emitters	Non-stocked emitters with Tc J	Non-stocked emitters with Tc K
125	HFE 125	HFE/TC/J 125	HFE/TC/K 125
200	HFE 200	HFE/TC/J 200	HFE/TC/K 200
250	HFE 250	HFE/TC/J 250	HFE/TC/K 250
325	HFE 325	HFE/TC/J 325	HFE/TC/K 325
500	HFE 500	HFE/TC/J 500	HFE/TC/K 500
150	FFE 150	FFE/TC/J 150	FFE/TC/K 150
250	FFE 250	FFE/TC/J 250	FFE/TC/K 250
400	FFE 400	FFE/TC/J 400	FFE/TC/K 400
500	FFE 500	FFE/TC/J 500	FFE/TC/K 500
650	FFE 650	FFE/TC/J 650	FFE/TC/K 650
750	FFE 750	FFE/TC/J 750	FFE/TC/K 750
1000	FFE 1000	FFE/TC/J 1000	FFE/TC/K 1000

The characteristics of our products are given for information only. We reserve the right to modify them in accordance with the technical evolution.

These square flat emitters have the same characteristics than the rectangular flat emitters

Square emitters

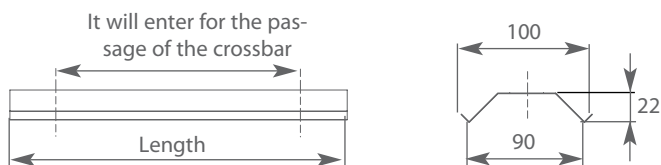
	P (W)	Non-stocked emitters	Non-stocked emitters with TcJ	Non-stocked emitters Tc K
	125	SFQ 125	SFQ/TC/J 125	SFQ/TC/K 125
	250	SFQ 250	SFQ/TC/J 250	SFQ/TC/K 250
	150	SFSE 150	SFSE/TC/J 150	SFSE/TC/K 150
	250	SFSE 250	SFSE/TC/J 250	SFSE/TC/K 250
	300	SFSE 300	SFSE/TC/J 300	SFSE/TC/K 300
	350	SFSE 350	SFSE/TC/J 350	SFSE/TC/K 350
	400	SFSE 400	SFSE/TC/J 400	SFSE/TC/K 400
	500	SFSE 500	SFSE/TC/J 500	SFSE/TC/K 500
	650	SFSE 650	SFSE/TC/J 650	SFSE/TC/K 650
	750	SFSE 750	SFSE/TC/J 750	SFSE/TC/K 750

## REFLECTORS AND ACCESSORIES

- In order to have a better efficiency, the emitted energy has to be focused on the charge. Consequently the range offered by ACIM JOUANIN can be integrated on existing ceramic elements : several curved emitters type FTE can be put on only one reflector.

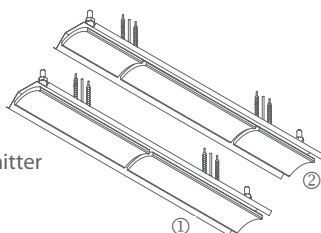


- Reflector in aluminised sheet.  
Cut for the passage of the emitter, boring for the passage of the crossbars and the connection back.
- Reflector provided with a mounting system kit :
  - screws and nuts for the mounting system of the reflector and of the connection,
  - crossbars which allow to not flatten out the leads of the connection leads,
  - ceramic block for the electrical connection.



Example of mounting :

- ①: reflector WBR/2/A with 2 FTE emitters
- ②: reflector WBR/2/A with 2 HTE emitters and 1 FTE emitter



Length (mm)	Gap (mm)	Reflector for :		Code
		HTE	FTE	
125	87	1 HTE	/	WBR/H
254	180	/	1 FTE	WBR/1
	194	2 HTE	/	WBR/1/A
504	430	/	2 FTE	WBR/2
	444	2 HTE	+ 1 FTE	WBR/2/A
629	570	5 HTE	/	WBR/5/H
754	570	/	3 FTE	WBR/3
		2 HTE	+ 2 FTE	WBR/3/A
1004	570	/	4 FTE	WBR/4
		2 HTE	+ 3 FTE	WBR/4/A

The characteristics of our products are given for information only. We reserve the right to modify them in accordance with the technical evolution.