

Connection

Special plug's assembly



Ref: CEE22



Ref: STAS.3.N (male)
STAK.3.N (female)

Sealed mica h.
Sealed mica nozzle h.
Mica w. clamping sheath
Ceramic

Plug CEE : plug 2 poles + earth, 250V, 10A.
Plug STAS : plug 3 poles + earth, 400V, 16A.
For the other kinds of plugs, please, consult us.

UTFCE plug



Mica w. clamping sheath
Ceramic

2 poles 5x2 mm, space between poles 12.5 mm + earth 6x2 mm. 240V, 16 A.

Beaded wires

They protect the wires from high temperatures. Length to be specified, by multiple of 100 mm.

Mica
Sealed mica nozzle h.
Ceramic

Pins cap brazed on tube



Ex : band equipped with a sensor support

Sealed mica h.
Sealed mica nozzle h.
Mica w. clamping sheath

Option: box with pins, brazed on the tube of a CMBPE box type. Radial position only. Pins with 2 poles, Ø 6 mm, TCT 19 mm, in nicked steel.

Interlink connector



Mica w. clamping sheath
Ceramic

Ex. of assembly on a band heater equipped with a hinge

Thanks to this option, you can connect 2 parts with only one connection.

Without earth ground wire

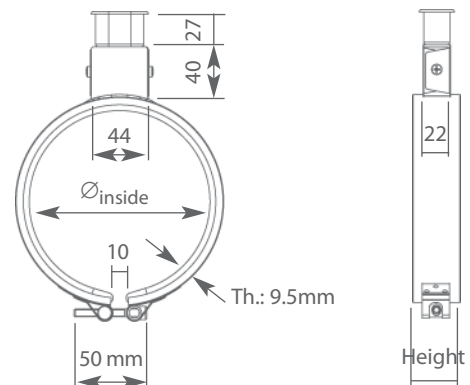
Our bands are equipped with earth ground wire. If you don't need it, please mention it on your order.

SHEATHED HEATER WITH RADIAL CONNECTOR

- Max. watt density on the tubular element : 4.8 W/cm².
- Max. operating temperature over the surface of the heater : 450°C
- Diameter min : 139 mm
Height min : 18 mm
Wattage : 500 to 1015 W - Voltage: 230 V or 400 V single phase.
Other dimensions upon request.
- Clamping sheath in aluminised steel
- Stainless steel tubular element.
- Radial box connection, with nicked steel pins Ø 6 mm, space between axes 19 mm, and cover pins.
Earth connection, thanks to the pin connector.
- Clamping : welded clamping barrels and BTR M6 screws, positioned on the clamping sheath
- Our products follow the EN 60335-1 norm
Wattage tolerance : +5% -10%
Leaking current < 0.75 mA/kW
- Special manufacturings:
- How to define a special band heater, see p 18.
- As the tubular element is bent on a specific diameter, heaters must perfectly suit to the support.



- Dimensional of a standard radial connector band heater:



Diameter Ø (mm)	Height H (mm)	Voltage (V)	Wattage (W)	Stock
139	18	230	500	B13918C50U22
	38	230	1015	B13938C101U22
139	18	400	500	B13918C50U38
	38	400	1015	B13938C101U38

Our products specifications are subject to change without notice. We reserve the right to modify them according to the technical evolution